



VHF MARINE TRANSCEIVERS

# IC-M323G

(With GPS Receiver)

# IC-M323

(Without GPS Receiver)

## Top Performance, Great Value



**GPS**  
INTEGRATED  
GPS RECEIVER  
(IC-M323G only)

IC-M323G Black Version



**Built-in GPS Receiver Simplifies Installation**  
(IC-M323G only)



**AquaQuake™  
Draining Function**



**Icom Marine Family User Interface**



**MA-500TR AIS Transponder  
Compatible**



**High-Definition Dot-Matrix Display**



**MarineCommander™ Compatible**



**Meets Latest Class D  
DSC Specifications**



**IPX7 Waterproof**  
1m Depth of Water for 30 Minutes



**Common NMEA Interface**  
For External GPS/NAV Connection



IC-M323 Super White Version

**Built-in GPS Receiver (IC-M323G only)**

The built-in GPS receiver shows your current position and time and can be used for DSC calls. GPS data source is selectable from internal and external GPS (and GPS-OFF setting).

**Intuitive User Interface**

Icom's common Marine Family User Interface provides simple operation for the boat owner. A rotary selector and directional keypad provide intuitive operation. The high-definition dot-matrix display allows all information to be clearly viewed.

**Built-in Class D DSC**

The built-in DSC watch function monitors Ch. 70 (DSC channel) activity, even while you are receiving another channel. DSC functions include: distress, individual, group, all ships, urgency, safety, position request/report, polling request and DSC test calls.

**IPX7 Waterproof Protection**

The IC-M323/G withstands submersion in up to 1.0m depth of water for 30 minutes. It is equivalent to the IPX7 standard.

**Common NMEA Interface**

When receiving DSC information from another vessel, the IC-M323/G can transfer it to a navigational device via NMEA 0183 connectivity.

**Compatible with MA-500TR Class B AIS Transponder**

The IC-M323/G can be integrated with the MA-500TR Class B AIS Transponder, which allows you to transmit DSC individual calls to a selected vessel instantly without manual MMSI entry. It is very handy if you are waiting to contact vessels on the AIS screen - an essential safety feature in an emergency.

**Favorite Channel Function**

This function promotes quick channel selection. Set the "Tag" channel to the channels used most often. When pushing the up/down buttons on the hand microphone, only the tagged channels are selected, while untagged channels are skipped.

**And More**

- MarineCommander™ compatible
- AquaQuake™ water draining function
- Dual/tri-watch function for monitoring Ch.16 and/or call channel
- Black and super white versions available
- Supports new four-digit marine channels effective from January 1st, 2017

**OPTIONS**



**HM-200B/SW**  
HAND MICROPHONE  
Same as supplied.

**SPECIFICATIONS**

GENERAL		
Frequency range	Tx Rx CH70	156.000–161.450 MHz 156.000–163.425 MHz 156.525 MHz
Usable channels		INT, USA* channels * Available depending on version
Type of emission		16K0G3E (FM), 16K0G2B (DSC)
Power supply requirement		13.8 V DC nominal (10.8–15.6 V DC)
Current drain	Tx 25 W output Rx Max. audio	5.5 A 1.5 A
Operating temperature range		–20°C to +60°C
Antenna impedance		50 Ω (SO-239)
Dimensions (WxHxD) (projections not included)		180x82x119.9 mm
Weight (approx.)		1.2 kg
NMEA in/out formats		RMC, GGA, GNS, GLL, DSC, DSE
TRANSMITTER		
Output power		25 W, 1 W
Max. frequency deviation		±5.0 kHz
Frequency stability		Less than ±1.5 kHz
Spurious emissions		Less than 0.25 µW

RECEIVER		
Sensitivity	Main DSC	–5 dBµ emf typ. (20 dB SINAD) –4 dBµ emf typ. (1% BER)
Squelch sensitivity	Main	Less than –2 dBµ emf
Adjacent channel selectivity	Main DSC	More than 70 dB More than 73 dBµ emf (1% BER)
Spurious response	Main DSC	More than 70 dB More than 73 dBµ emf (1% BER)
Intermodulation	Main DSC	More than 68 dB More than 68 dBµ emf (1% BER)
Hum and noise		More than 40 dB
Audio output power (at 10% distortion, 4 Ω load)		More than 2 W

Measurements made in accordance with EN 301 025-2, -3. All stated specifications are subject to change without notice or obligation.

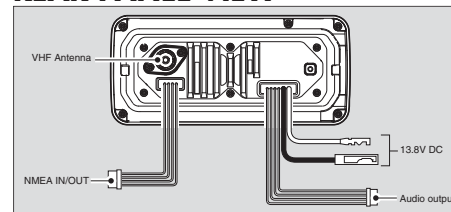
**Applicable IP Rating**

Ingress Protection Standard	
Water	IPX7 (Waterproof protection)

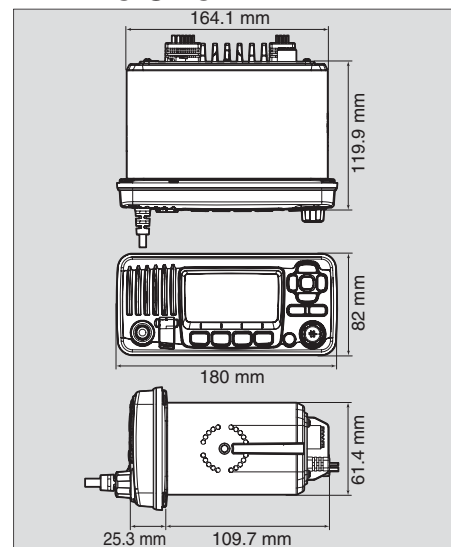
**Supplied accessories:**

- Hand microphone, HM-200B/SW
- DC power cable
- Mounting bracket kit

**REAR PANEL VIEW**



**DIMENSIONS**



Icom, Icom Inc. and the Icom logo are registered trademarks of Icom Incorporated (Japan) in Japan, the United States, the United Kingdom, Germany, France, Spain, Russia, Australia, New Zealand and/or other countries. MarineCommander and AQUAQUAKE are trademarks of Icom Inc. (Japan). All other trademarks are the properties of their respective holders.

**Icom Inc.**

1-1-32, Kamiminami, Hirano-Ku, Osaka 547-0003, Japan Phone: +81 (06) 6793 5302 Fax: +81 (06) 6793 0013

[www.icom.co.jp/world](http://www.icom.co.jp/world)

**Count on us!**

**Icom America Inc.**

12421 Willows Road NE,  
Kirkland, WA 98034, U.S.A.  
Phone: +1 (425) 454-8155  
Fax: +1 (425) 454-1509  
E-mail: [sales@icomamerica.com](mailto:sales@icomamerica.com)  
URL: <http://www.icomamerica.com>

**Icom Canada**

Glenwood Centre #150-6165  
Highway 17A, Delta, B.C.,  
V4K 5B8, Canada  
Phone: +1 (604) 952-4266  
Fax: +1 (604) 952-0090  
E-mail: [info@icomcanada.com](mailto:info@icomcanada.com)  
URL: <http://www.icomcanada.com>

**Icom Brazil**

Rua Itororó, 444 Padre Eustáquio  
Belo Horizonte MG,  
CEP: 30720-450, Brazil  
Phone: +55 (31) 3582 8847  
Fax: +55 (31) 3582 8987  
E-mail: [sales@icombrasil.com](mailto:sales@icombrasil.com)

**Icom (Europe) GmbH**

Communication Equipment  
Auf der Krautweide 24  
65812 Bad Soden am Taunus, Germany  
Phone: +49 (6196) 76885-0  
Fax: +49 (6196) 76885-50  
E-mail: [info@icomeurope.com](mailto:info@icomeurope.com)  
URL: <http://www.icomeurope.com>

**Icom Spain S.L.**

Ctra. Rubi, No. 88 "Edificio Can Castanyer"  
Bajos A 08174, Sant Cugat del Valles,  
Barcelona, Spain  
Phone: +34 (93) 590 26 70  
Fax: +34 (93) 589 04 46  
E-mail: [icom@icomspain.com](mailto:icom@icomspain.com)  
URL: <http://www.icomspain.com>

**Icom (UK) Ltd.**

Blacksloe House, Altira Park,  
Herne Bay, Kent, CT6 6GZ, U.K.  
Phone: +44 (0) 1227 741741  
Fax: +44 (0) 1227 741742  
E-mail: [info@icomuk.co.uk](mailto:info@icomuk.co.uk)  
URL: <http://www.icomuk.co.uk>

**Icom France s.a.s.**

Zac de la Plaine,  
1 Rue Brindejone des Moulinais, BP 45804,  
31505 Toulouse Cedex 5, France  
Phone: +33 (5) 61 36 03 03  
Fax: +33 (5) 61 36 03 00  
E-mail: [icom@icom-france.com](mailto:icom@icom-france.com)  
URL: <http://www.icom-france.com>

**Icom (Australia) Pty. Ltd.**

Unit 1 / 103 Garden Road,  
Clayton, VIC 3168 Australia  
Phone: +61 (03) 9549 7500  
Fax: +61 (03) 9549 7505  
E-mail: [sales@icom.net.au](mailto:sales@icom.net.au)  
URL: <http://www.icom.net.au>

**Asia Icom Inc.**

6F No. 68, Sec. 1 Cheng-Teh Road,  
Taipei, Taiwan, R.O.C.  
Phone: +886 (02) 2559 1899  
Fax: +886 (02) 2559 1874  
E-mail: [sales@asia-icom.com](mailto:sales@asia-icom.com)  
URL: <http://www.asia-icom.com>

Your local distributor/dealer: